



HÄFNER – a standard for quality and precision

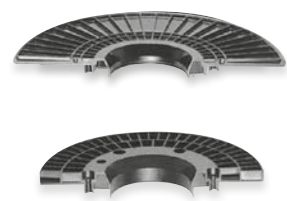
VM-Reels

Ø 355–800 mm / 14–31,5 inch
similar to DIN 46395



HÄFNER

Spool Range:



LM/EM/FR:

The LM-type of reels are a low cost solution for the despatch of bare and insulated wire. They are produced from a High Impact Polystyrene in anthr. colour. The EM-type reel has additional strength through the integration of an internal pipe. Reels of the FR-type treated with paper or plastic cylinders.

It is also possible to receive unassembled flanges. The material is PS or ABS.

For more information on this reel type go to www.hafner-spools.com and search for LM Reels.

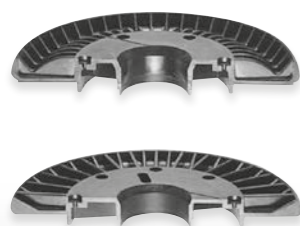


VM:

These reels have the same basic dimensions as the LM series apart from the total width which increases due to thicker flanges compared to the LM reels.

Materials used are PS-TSG, ABS, PA6.

Available dimension are shown in this brochure.

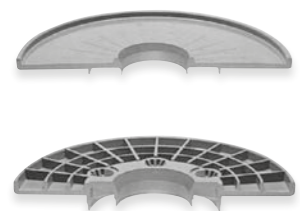


VMV/VMZ:

These reels are used to wind bare and insulated wire. The types VMV and VMZ show their qualities through the strength of the flanges.

Extra strength is also available through the addition of an internal pipe and threading. Material is ABS.

Available dimension are shown in this brochure.



GM/GMV:

These reels have the same basic dimensions as the VM range. The flanges do not have ribs on the outer surfaces. The outer surfaces on the flanges are roughened in a star formation and can be used as contact areas for breaking. Materials used are ABS in grey. Other colours are possible.

For more information on this reel type go to www.hafner-spools.com and search for GM Reels.

Spools "Made by Häfner"

The expertise of more than 75 years' experience:

»The industry-wide developments and environmentally friendly production of reels along with intensive dialogue with our customers have made us the no. 1 in Europe. We guarantee excellent quality and service, together with a good price-performance ratio.

Let's talk about common aims together – we have the solutions for your requirements.«

Häfner & Krullmann GmbH
Plastic Processors

Krentrufer Straße 7–15
33818 Leopoldshöhe
(Germany)

Tel. +49 (0)5208 7004-0
Fax +49 (0)5208 7004-155

info@hafner-spools.com
www.hafner-spools.com

HÄFNER – a standard for quality and precision

VM-Reels

Ø 355–800 mm / 14–31,5 inch similar to DIN 46395

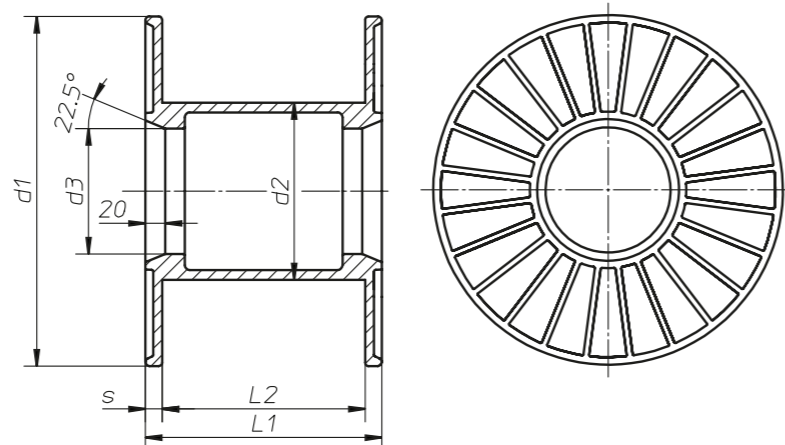


HÄFNER



Selected reels
Ø 355–800 mm / 14–31,5 inch

especially suitable as despatch reels
also for multiple journey
Dimensions in mm and inch,
dimensions are nominal dimensions.



Reel specification:

The reel specification are made up of the format, the flange diameter, the bore dimension, and the total width of the reels. In addition, it is recommended to state the barrel diameter (d2) and the winding width (L2).

Materials:

The VM range of reels are manufactured from solid ABS Materials or alternatively from coloured foamed Polyesterene (PS-TSG). Due to the process, the surface of this material is steaky. Further information about materials is given in our material specification.

HÄFNER – a standard for quality and precision

VM-Reels

Ø 355–800 mm / 14–31,5 inch
similar to DIN 46395



Winding width:

The winding widths as stated in the table are the most cost effective sizes. Smaller and larger winding widths can of course be supplied. Smaller widths are achieved by shortening the barrel.

Overall width:

The overall width of the reels is normally made up of the winding width (L2) plus 2x the flange thickness (s). The total width of the reel can be increased by creating hub protrusions in conjunction with smaller bores.

Central bore:

As standard the reels have a central bore of 127 mm/5 inch. By using additional inserts other diameters can be supplied. For various reasons it has been found to make use of central bore dimensions which are already used as standard e.g. 16/0,63 | 22/0,87 | 36/1,42 | 56/2,2 and 80/3,15 mm/inch

Drivepins/holes:

In its standard form, the reels are supplied without drivepins/holes. A drivepin device could engage between the ribs of the flange. It is however possible to supply the reels with a plastic or metal pin to act as drivepin.

Tolerance:

All measures, weights and loads as indicated in this brochure are approximate figures. Tolerances and deviations as customary in this trade reserved.

Bolted connections:

Most VM reels can be assembled with bolted connections. The VMV and VMZ type reels are preferably delivered with bolted connections.

Illustration No.	Reels Type	d1		d2		d3*		L1		L2		s		Winding vol.		Possible materials	Remarks
		mm	inch	mm	inch	mm	inch	mm	inch	mm	inch	mm	inch	cm ³	inch ³		
01	VM 355/127-314	355	13,98	180	7,09	127	5,00	314	12,36	280	11,02	17	0,67	20.589	1.256	PS-TSG, ABS	L2 = 50 to 280 / 1,97 to 11,02
02	VM 355/127-344	355	13,98	224	8,82	127	5,00	344	13,54	310	12,20	17	0,67	18.467	1.127	PS-TSG, ABS	L2 = 50 to 310 / 1,97 to 12,20
03	VM 400/127-286	400	15,75	160	6,30	127	5,00	286	11,26	250	9,84	18	0,71	26.389	1.610	PS-TSG, ABS	L2 = 50 to 250 / 1,97 to 9,84
04	VM 400/127-316	400	15,75	180	7,09	127	5,00	316	12,44	280	11,02	18	0,71	28.061	1.712	PS-TSG, ABS	L2 = 50 to 280 / 1,97 to 11,02
05	VM 400/127-321	400	15,75	200	7,87	127	5,00	321	12,64	285	11,22	18	0,71	26.860	1.639	PS-TSG, ABS, PA6	L2 = 50 to 285 / 1,97 to 11,22
06	VM 400/127-355	400	15,75	250	9,84	127	5,00	355	13,98	315	12,40	20	0,79	24.122	1.472	PS-TSG, ABS, PA6	L2 = 50 to 315 / 1,97 to 12,40
07	VM 400/127-415	400	15,75	280	11,02	127	5,00	415	16,34	375	14,76	20	0,79	24.033	1.467	PS-TSG, ABS	L2 = 50 to 375 / 1,97 to 14,75
08	VM 400/127-416	400	15,75	315	12,40	127	5,00	416	16,38	380	14,96	18	0,71	18.138	1.107	PS-TSG, ABS, PA6	L2 = 50 to 425 / 1,97 to 16,73
09	VM 450/127-316	450	17,72	180	7,09	127	5,00	316	12,44	280	11,02	18	0,71	37.407	2.283	PS-TSG, ABS	L2 = 50 to 280 / 1,97 to 11,02
10	VM 450/127-321	450	17,72	200	7,87	127	5,00	321	12,64	285	11,22	18	0,71	36.373	2.220	PS-TSG, ABS	L2 = 50 to 285 / 1,97 to 11,22
11	VM 450/127-346	450	17,72	224	8,82	127	5,00	346	13,62	310	12,20	18	0,71	37.086	2.263	PS-TSG, ABS	L2 = 50 to 310 / 1,97 to 12,20
12	VM 500/127-325	500	19,69	200	7,87	127	5,00	325	12,80	285	11,22	20	0,79	47.006	2.868	PS-TSG, ABS	L2 = 50 to 285 / 1,97 to 11,22
13	VM 500/127-355	500	19,69	250	9,84	127	5,00	355	13,98	315	12,40	20	0,79	46.387	2.831	PS-TSG, ABS, PA6	L2 = 50 to 315 / 1,97 to 12,40
14	VM 500/127-420	500	19,69	315	12,40	127	5,00	420	16,54	380	14,96	20	0,79	44.999	2.746	PS-TSG, ABS, PA6	L2 = 50 to 425 / 1,97 to 16,73
15	VM 560/127-380	560	22,05	355	13,98	127	5,00	380	14,96	330	12,99	25	0,98	48.616	2.967	PS-TSG, ABS	L2 = 50 to 425 / 1,97 to 16,73
16	VM 560/127-425	560	22,05	280	11,02	127	5,00	425	16,73	375	14,76	25	0,98	69.272	4.227	PS-TSG, ABS	L2 = 50 to 375 / 1,97 to 14,75
17	VM 600/127-365	600	23,62	250	9,84	127	5,00	365	14,37	315	12,40	25	0,98	73.601	4.491	ABS	L2 = 50 to 315 / 1,97 to 12,40
18	VM 600/127-430	600	23,62	315	12,40	127	5,00	430	16,93	380	14,96	25	0,98	77.828	4.749	ABS	L2 = 50 to 425 / 1,97 to 16,73
19	VM 610/127-430	610	24,02	315	12,40	127	5,00	430	16,93	380	14,96	25	0,98	81.440	4.970	ABS	L2 = 50 to 425 / 1,97 to 16,73
20	VM 610/127-610	610	24,02	400	15,75	127	5,00	610	24,02	560	22,05	25	0,98	92.286	5.632	ABS	L2 = 50 to 560 / 1,97 to 22,05
21	VM 630/127-430	630	24,80	315	12,40	127	5,00	430	16,93	380	14,96	25	0,98	88.841	5.421	PS-TSG, ABS, PA6	L2 = 50 to 315 / 1,97 to 16,73
22	VM 630/127-610	630	24,80	400	15,75	127	5,00	610	24,02	560	22,05	25	0,98	104.194	6.358	ABS	L2 = 50 to 560 / 1,97 to 22,05
23	VM 630/127-610	630	24,80	500	19,69	127	5,00	610	24,02	560	22,05	25	0,98	64.609	3.943	ABS	L2 = 50 to 560 / 1,97 to 22,05
24	VM 710/127-385	710	27,95	250	9,84	127	5,00	385	15,16	315	12,40	35	1,38	109.252	6.667	ABS	L2 = 50 to 425 / 1,97 to 12,40
25	VM 710/127-630	710	27,95	400	15,75	127	5,00	630	24,80	560	22,05	35	1,38	151.343	9.236	ABS	L2 = 50 to 560 / 1,97 to 22,05
26	VM 710/127-630	710	27,95	500	19,69	127	5,00	630	24,80	560	22,05	35	1,38	111.759	6.820	ABS	L2 = 50 to 315 / 1,97 to 22,05
27	VM 800/127-630	800	31,50	400	15,75	127	5,00	630	24,80	560	22,05	35	1,38	211.115	12.883	ABS	L2 = 50 to 560 / 1,97 to 22,05
VMV and VMZ type reels**																	
28	VMV 355/127-224	355	13,98	224	8,82	127	5,00	224	8,82	160	6,30	32	1,26	9.531	582	ABS	L2 = 50 to 160 / 1,97 to 6,30
29	VMV 400/127-395	400	15,75	250	9,84	127	5,00	395	15,55	315	12,40	40	1,57	24.122	1.472	ABS	L2 = 50 to 315 / 1,97 to 12,40
30	VMV 500/127-470	500	19,69	315	12,40	127	5,00	470	18,50	380	14,96	45	1,77	44.999	2.746	ABS	L2 = 50 to 425 / 1,97 to 16,73
31	VMV 560/127-480	560	22,05	315	12,40	127	5,00	480	18,90	380	14,96	50	1,97	63.980	3.904	ABS	L2 = 50 to 425 / 1,97 to 16,73
32	VMZ 560/127-406	560	22,05	355	13,98	127	5,00	406	15,98	330	12,99	38	1,50	48.616	2.967	ABS	L2 = 50 to 425 / 1,97 to 16,73
33	VMV 630/127-660	630	24,80	400	15,75	127	5,00	660	25,98	560	22,05	50	1,97	104.194	6.358	ABS	L2 = 50 to 560 / 1,97 to 22,05
34	VMV 710/127-660	710	27,95	500	19,69	127	5,00	660	25,98	560	22,05	50	1,97	111.759	6.820	ABS	L2 = 60 to 560 / 2,36 to 22,05
35	VMV 750/127-660	750	29,53	400	15,75	127	5,00	660	25,98	560	22,05	50	1,97	177.028	10.803	ABS	L2 = 60 to 560 / 2,36 to 22,05
36	VMV 800/127-680	800	31,50	500	19,69	127	5,00	680	26,77	560	22,05	60	2,36	171.530	10.467	ABS	L2 = 60 to 560 / 2,36 to 22,05

*d3 also Ø 16 – 102 mm (0,63 – 4,0 inch) possible | **VMV and VMZ type Reels are preferably delivered with threading.

